

# TRUS<sub>3</sub>AL TSP TSPVO



TSP  
+100 °C  
-60 °C

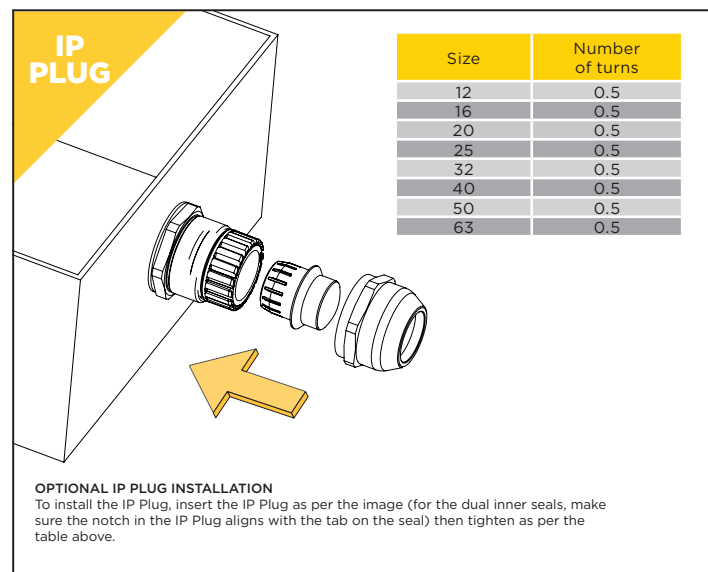
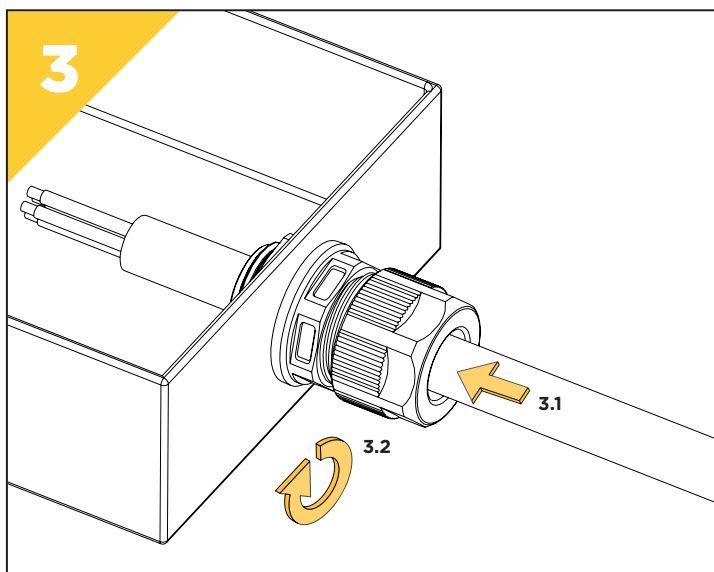
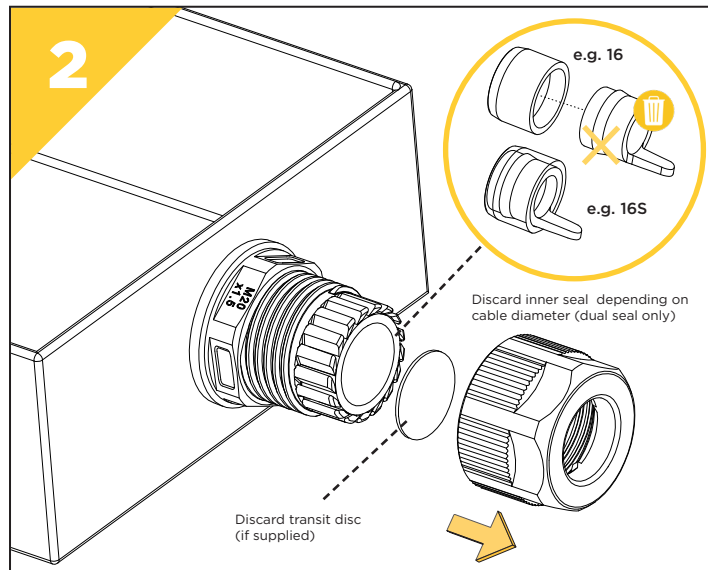
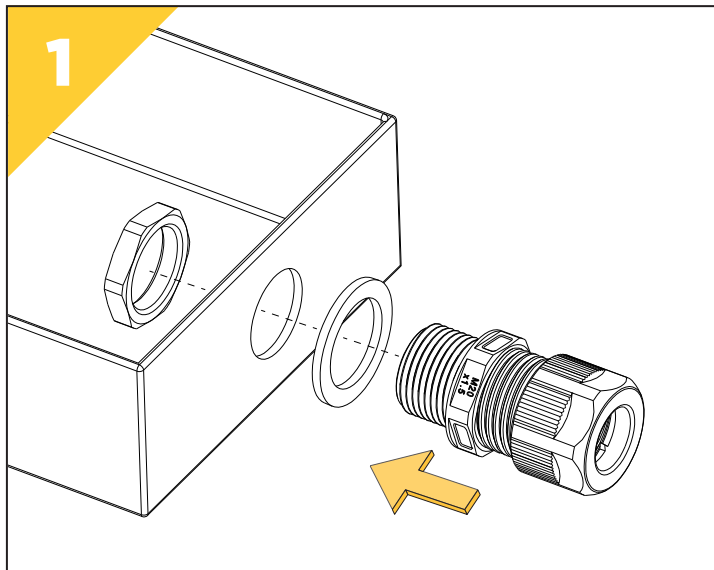
TSPVO  
+100 °C  
-40 °C

IP66

IP67

IP68

IP 69K



Cable Gland Size	Hex Size (mm)	Cable Diameter (mm)		Number of Turns	
		Min	Max	On Min Cable	On Max Cable
12	15	3	6.5	1.50	1.00
16S	19	3	7	1.75	1.25
16		6	10	1.75	0.75
20S	24	5	10	1.75	1.00
20		9	14	1.50	0.75
25S	30	9	15.5	1.50	0.75
25		12.5	18	1.75	0.75
32S	40	12.5	19	2.50	1.25
32		17	25	2.00	0.50
40S	50	19	27	2.00	0.50
40		24	32	2.00	0.75
50S	58	22	32	1.75	0.75
50		28	38	1.75	0.50
63S	68	28	39	2.00	1.00
63		37	48	2.00	0.50

**INSTALLATION NOTES:**

**ENTRY THREADS: PRODUCT SIZE:** 12 = M12 1/4", 16 = M16 3/8", 20 = M20 1/2", 25 = M25 3/4", 32 = M32 1", 40 = M40 1-1/4", 50 = M50 1-1/2", 63 = M63 2"

**ENTRY THREAD LENGTHS: STANDARD** 12, 16 = 9mm, 20, 25 = 10mm, 32, 40, 50 = 12mm, 63 = 15mm

**MAXIMUM CLEARANCE HOLE SIZE:** 12 - 25 = 0.2mm, 32 - 40 = 0.3mm, 50 - 63 = 0.4mm ABOVE THE MAJOR THREAD DIAMETER