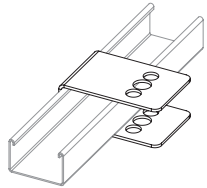


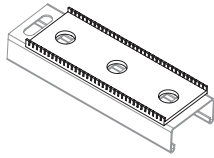
## ACCESSORIES

### C-clamp



For use with un-slotted rungs.

### Isolation Pad



Prevent galvanic corrosion between two dissimilar metals.

Contact **CMP** for more information regarding accessories.

### PPE



CAUTION: We strongly recommend wearing suitable PPE including anti cut gloves.

Please refer to local PPE regulations.

All products are short-circuit tested. Please visit [www.cmp-products.com](http://www.cmp-products.com) for further details.

**Note:** Fixings not included. For more information on fixings please visit [www.cmp-products.com](http://www.cmp-products.com) and download the Cleat Fixing Pack data sheet. Any other queries please contact CMP via email [customerservices@cmp-products.com](mailto:customerservices@cmp-products.com).

There are no restrictions on the mounting orientation of the cleats.

[www.cmp-products.com](http://www.cmp-products.com)

Tel: +44 (0) 191 265 7411

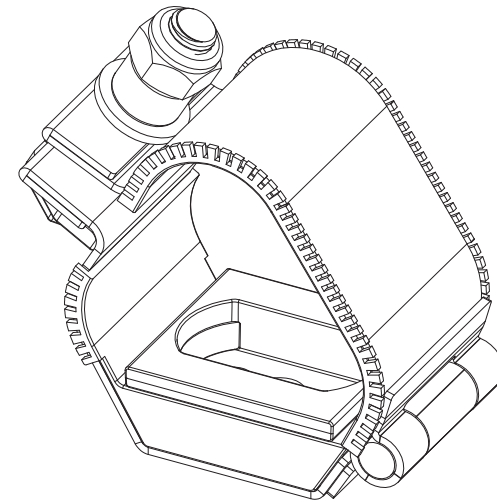
E-mail: [customerservices@cmp-products.com](mailto:customerservices@cmp-products.com)

## Cable Cleat Specification

Name	Type	Material	Certification	Size Range	Temp Range	Liner Type	Bolt(s)
CENTURION	LDAL-B	Aluminium	IEC 61914	19 - 128 mm in 23 sizes Trefoil Formation	-60°C to +60°C	Low Smoke & Fume (LSF) Zero Halogen (LSOH) & Phosphorus Free Polymer	2 x Outer M10 or 1 x Central M10
HURON	LDAL						
RELIANCE	SDAL						
PATRIOT	SDSS			13 - 128mm in 25 sizes Trefoil Formation			2 x Outer M10 or 1 x Central M10
SAPPHIRE	SHDSS			19 - 150mm in 13 sizes Single / Parallel Formation			2 x Outer M10 or 1 x Central M12
SOVEREIGN	HDSS			13 - 128mm in 25 sizes Trefoil Formation			

## HINGED CABLE CLEATS

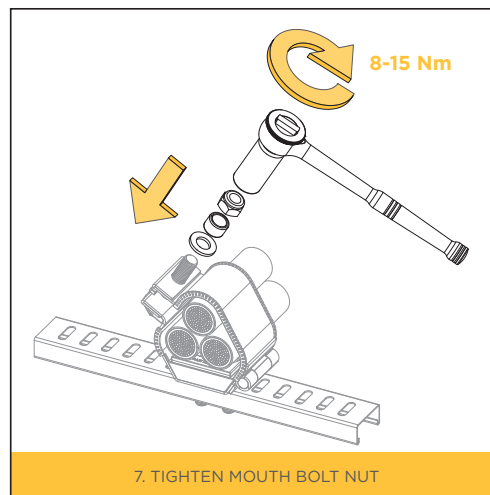
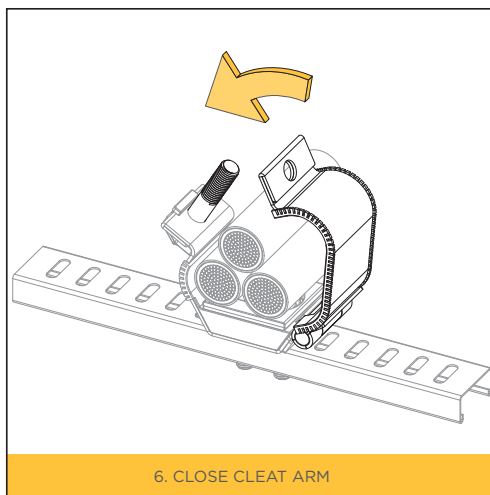
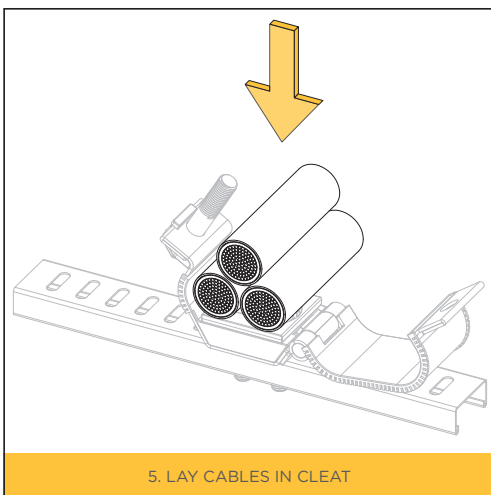
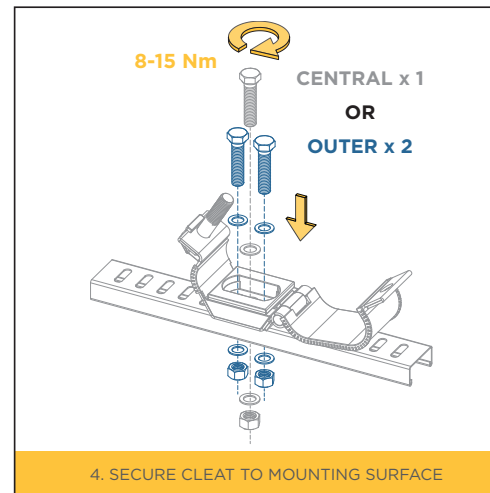
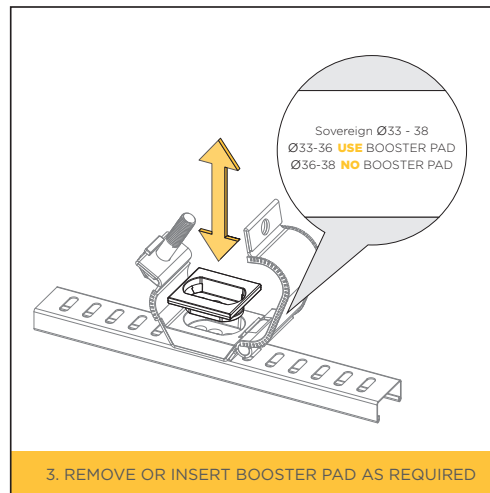
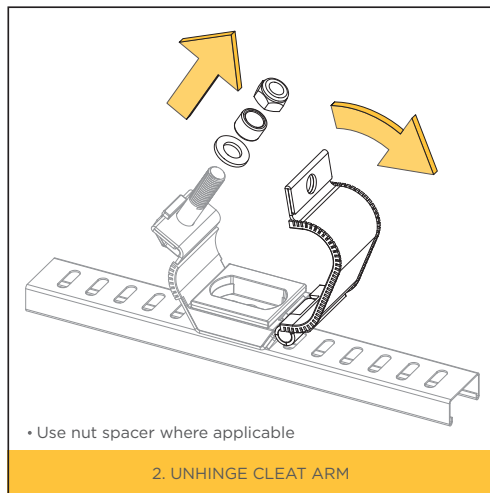
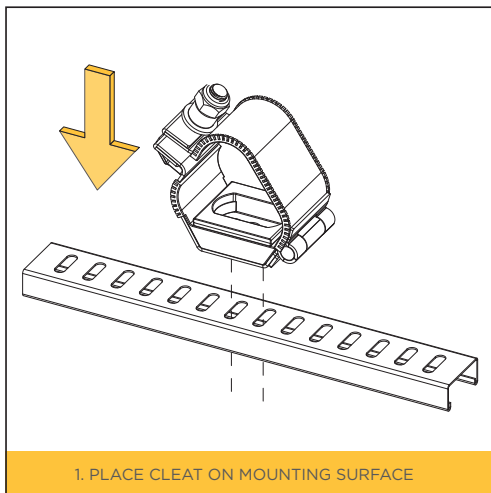
**CENTURION LDAL-B**  
**HURON LDAL**  
**RELIANCE SDAL**  
**PATRIOT SDSS**  
**SAPPHIRE SHDSS**  
**SOVEREIGN HDSS**



**CLEAT FITTING  
INSTRUCTIONS**

F1543 REV 5 08/25





SECURING CABLES WORLDWIDE