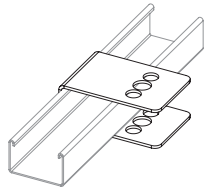


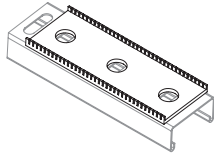
ACCESSORIES

C-clamp



For use with un-slotted rungs.

Isolation Pad



Prevent galvanic corrosion between two dissimilar metals.

Contact CMP for more information regarding accessories.

PPE



CAUTION: We strongly recommend wearing suitable PPE including anti cut gloves.

Please refer to local PPE regulations.

Cable Cleat Specification

Name	Type	Material	Certification	Size Range	Temp Range	Liner Type	Bolt(s)
EMERALD	SSDSS	Stainless Steel	IEC 61914	19 - 115mm in 12 sizes Single Formation	-60°C to +60°C	Low Smoke & Fume (LSF) Zero Halogen (LSOH) & Phosphorus Free Polymer	2 x Outer M10 or 1 x Central M10

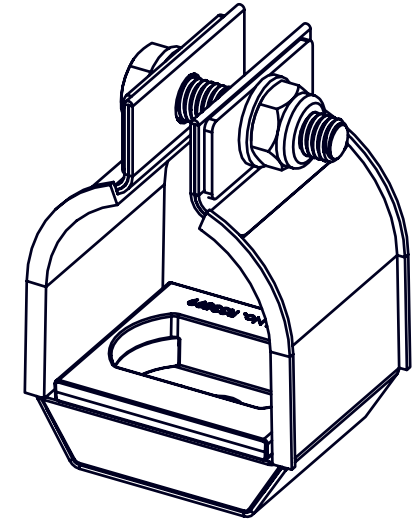
All products are short-circuit tested. Please visit www.cmp-products.com for further details.

Note: Fixings not included. For more information on fixings please visit www.cmp-products.com and download the Cleat Fixing Pack data sheet. Any other queries please contact CMP via email customerservices@cmp-products.com.

There are no restrictions on the mounting orientation of the cleats.

EMERALD CABLE CLEAT SSDSS

Standard Duty, Stainless Steel,
Top Opening, Hingeless, Single
Formation Cable Cleat

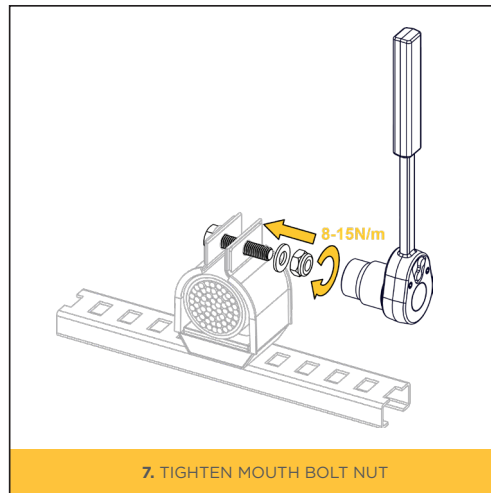
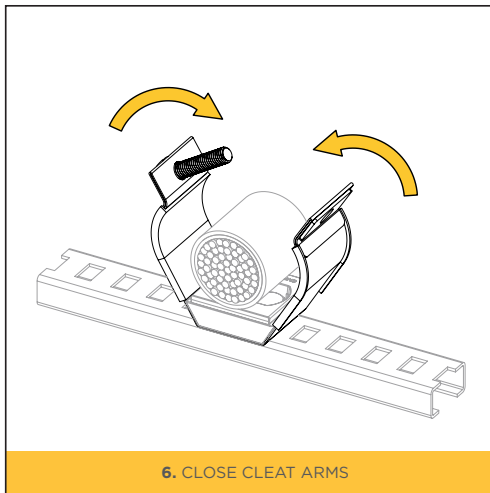
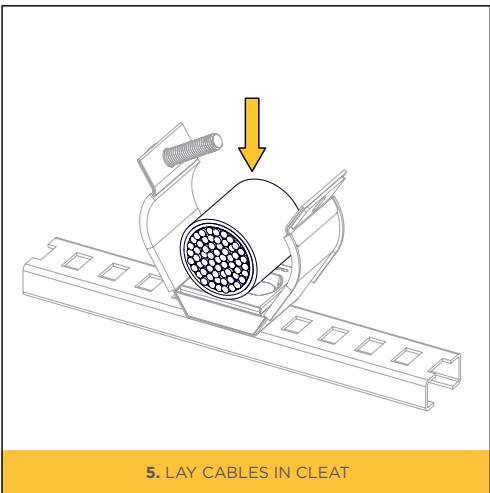
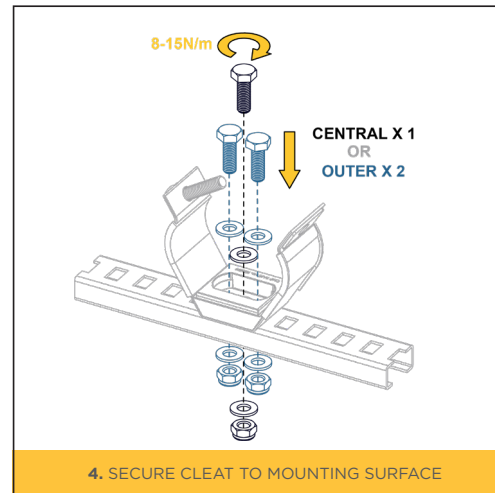
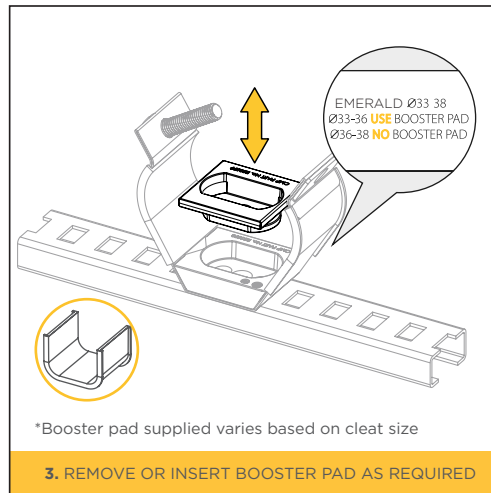
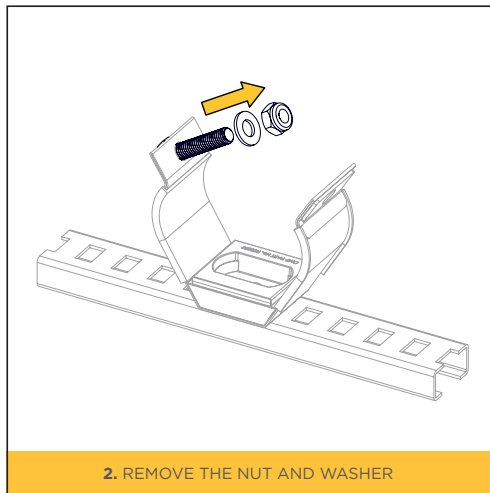
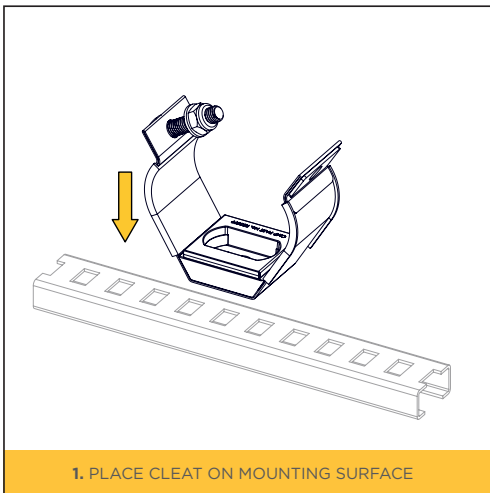


www.cmp-products.com
Tel: +44 (0) 191 265 7411
E-mail: customerservices@cmp-products.com

F1716 REV0 09/25



**CLEAT FITTING
INSTRUCTIONS**



SECURING CABLES WORLDWIDE