



TECHNICAL DATA

CABLE GLAND TYPE : PXRC-REX
 INGRESS PROTECTION : IP66
 PROCESS CONTROL SYSTEM : ISO 9001
 : ISO/IEC 80079-34:2011

EXPLOSIVE ATMOSPHERES CLASSIFICATION

ATEX CERTIFICATION No : CML 18ATEX1325X, CML 18ATEX4317X
 ATEX CERTIFICATION CODE : Ⓔ II 2G 1D Ex db IIC Gb, Ex eb IIC Gb, Ex ta IIIC Da, Ⓔ II 3G Ex nR IIC Gc
 UKEX CERTIFICATION No : CML 21UKEX1214X, CML 21UKEX4215X
 UKEX CERTIFICATION CODE : Ⓔ II 2G 1D Ex db IIC Gb, Ex eb IIC Gb, Ex ta IIIC Da, Ⓔ II 3G Ex nR IIC Gc
 IECEx CERTIFICATION No : IECEx CML 18.0182X
 IECEx CERTIFICATION CODE : Ex db IIC Gb, Ex eb IIC Gb, Ex ta IIIC Da, Ex nR IIC Gc

INSTALLATION INSTRUCTIONS

- Installation should only be performed by a competent person using the correct tools. Spanners should be used for tightening. Read all instructions before beginning installation.
- The interface between a cable entry device and its associated enclosure / cable entry will require additional sealing to achieve ingress protection (IP) ratings higher than IP54. The minimum protection level is IP54 for explosive gas atmospheres and IP6X for explosive dust atmospheres. Parallel threads (and tapered threads when using a non-threaded entry) require a CMP sealing washer or integral O-ring face seal (where available) to maintain IP66, 67 and 68 (when applicable). It is the installer's responsibility to ensure the IP rating is maintained at the interface.
 Note: When fitted to a threaded entry, all tapered threads will automatically provide an ingress protection rating of IP66.
 A CMP earth tag should be used when it is necessary to provide an earth bond connection. CMP earth tags have been independently tested to comply with Category B rating specified in IEC 62444 (there are no ratings stated in IEC 60079-0). Ratings are shown in the associated table. CMP earth tags slip over the cable gland or accessory entry thread from inside/outside the enclosure and must be secured with a locknut (if fitted internally).
- Metric entry threads comply with ISO 965-1 and ISO 965-3 with a 6g tolerance as required by IEC 60079-1:2014. The CMP standard metric thread pitch is 1.5mm for threads up to M75, and 2.0mm from M90 and above. Special thread pitches between 0.7 – 2.0mm are available on all products on request. See certificate for details of other thread types. NPT threads are in accordance with ASME B1.20.1-2013 gauging to C1 3.2 for external threads. For details of other thread types refer to IECEx certificate.
- Enclosures must be strong enough to support the cable and cable gland assembly. The enclosure surface finish must be smooth and flat to facilitate sealing with an O-ring or Entry Thread Sealing Washer for the required IP rating.
- Enclosure walls must be sufficiently strong enough to support the cable and cable gland assembly. Enclosure entries shall be perpendicular. Any draft angles from the casting/moulding process should have a perpendicular flat spot machined to facilitate sealing with an O-ring or Entry Thread Sealing Washer.
- CMP Products recommends that when using the cable gland with a through-hole, the hole must be circular, free of burrs and the diameter no larger than 0.7mm above the thread major diameter. A suitable CMP Products locknut shall be used to secure the product. See CMP Products catalogue for locknut options.
- Cable glands do not have any serviceable parts and are therefore not intended to be repaired.



INSTALLATION INSTRUCTIONS FOR CMP CABLE GLAND TYPE PXRC-REX

BARRIER CABLE GLAND FOR USE IN EXPLOSIVE ATMOSPHERES WITH BRAID, UNARMoured CABLE OR INDIVIDUAL CORES HOUSED IN CONDUIT.

INCORPORATING EU DECLARATION OF CONFORMITY TO DIRECTIVE 2014/34/EU AND UK STATUTORY REQUIREMENTS SI 2016 No. 1107 (AS AMENDED)



CMP Earth Tag Size	Short Circuit Ratings Symmetrical Fault Current (kA) for 1 second
20	3.06
25	4.06
32	5.40
40	7.20
50	10.40
63	10.40
75	10.40

SPECIFIC CONDITIONS OF USE

When assembled to flexible conduit, the conduit must be effectively clamped to prevent twisting and pulling.

ACCESSORIES

The following accessories are available from CMP Products, as optional extras, to assist with fixing, sealing and earthing :-
 Locknut | Earth Tag | Serrated Washer | Entry Thread (I.P.) Sealing Washer | Shroud *

CMP Products Limited on its sole responsibility declares that the equipment referred to herein conforms to the requirements of the ATEX Directive 2014/34/EU and UK statutory requirements SI 2016 No. 1107 (as amended). This is shown in the following harmonised/designated standards;
 EN IEC 60079-0: 2018, EN 60079-1: 2014, EN IEC 60079-7: 2015 + A1: 2018, EN IEC 60079-15: 2019, EN 60079-31: 2014

Malcolm Webber - Product Engineering Manager - (Authorised Person)
 CMP Products Limited, Cramlington, NE23 1WH, UK

EU Economic Operator: CMP Products Germany GmbH. Address: Lukasstraße 25a, 52070 Aachen
 17th March 2020



Notified Body: CML B.V., Koopvaardijweg 32, 4906CV Oosterhout, The Netherlands

Approved Body: Eurofins E&E CML Limited, Newport Business Park, New Port Road, Ellesmere Port, CH65 4LZ

Cable Gland Size	Available Entry Threads (Alternate Metric Thread Lengths Available)					Max Number Of Cores	Standard Female Connection Thread	Diameter Over Conductors	Cable Bedding Diameter	Overall Cable Diameter	Across Flats	Across Corners	Protrusion Length	Combined Ordering Reference (*Brass Metric)			Cable Gland Weight (Kgs)
	Standard		Option		Size									Type	Ordering Suffix		
	Metric	Thread Length (Metric)	NPT	Thread Length (NPT)													
20	M20	15.0	1/2"	19.9	3/4"	21	M20	12.6	12.9	13.9	30.0	33.0	48.1	20	PXRCREX	1RA	0.170
25	M25	15.0	3/4"	20.2	1"	30	M25	17.5	17.9	19.9	36.0	39.6	47.5	25	PXRCREX	1RA	0.330
32	M32	15.0	1"	25.0	1 1/4"	50	M32	23.6	23.9	26.2	41.0	45.1	51.8	32	PXRCREX	1RA	0.320
40	M40	15.0	1 1/4"	25.6	1 1/2"	59	M40	30.0	30.3	32.3	50.0	55.0	48.6	40	PXRCREX	1RA	0.420
50S	M50	15.0	1 1/2"	26.1	2"	89	M50	36.6	36.9	38.9	55.0	60.5	59.1	50S	PXRCREX	1RA	0.570
50	M50	15.0	2"	26.9	2 1/2"	115	M50	41.0	41.3	44.2	60.0	66.0	63.6	50	PXRCREX	1RA	0.610
63S	M63	15.0	2"	26.9	2 1/2"	115	M63	47.9	48.4	50.0	70.1	77.1	62.6	63S	PXRCREX	1RA	0.940
63	M63	15.0	2 1/2"	39.9	3"	115	M63	53.7	54.0	56.0	75.0	82.5	64.6	63	PXRCREX	1RA	0.890
75S	M75	15.0	2 1/2"	39.9	3"	140	M75	59.9	60.2	62.4	80.0	88.0	71.7	75S	PXRCREX	1RA	1.290
75	M75	15.0	3"	41.5	3 1/2"	140	M75	64.2	64.2	68.1	85.0	93.5	71.2	75	PXRCREX	1RA	1.160
90	M90	20.0	3 1/2"	42.8	4"	140	M90	75.3	75.6	80.1	108.0	118.8	87.3	90	PXRCREX	1RA	2.630
100	M100	20.0	3 1/2"	42.8	4"	200	M100	83.6	85.9	84.9	123	135.3	110.0	100	PXRCREX	1RA	5.54

Dimensions are displayed in millimetres unless otherwise stated

F1415		
Certificate	REVISION	DATE
UKEX	0	04/21
IFS	16	03/24
ATEX / IECEx	11	01/19
cCSAus	11	01/19

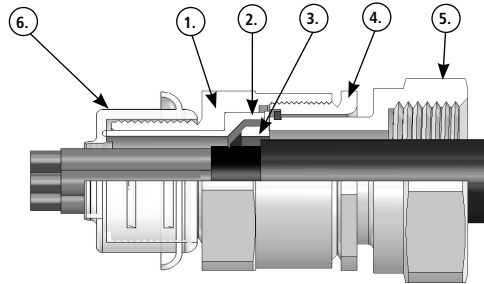


Glasshouse Street • St. Peters • Newcastle upon Tyne • NE6 1BS
 Tel: +44 191 265 7411 • Fax: +44 191 265 0581
 E-Mail: customerservices@cmp-products.co.uk • Web: www.cmp-products.com

INSTALLATION INSTRUCTIONS FOR CMP CABLE GLAND TYPES PXRC-REX

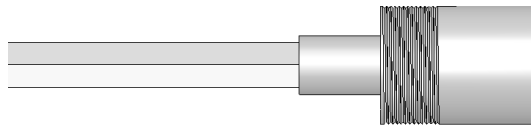
CABLE GLAND COMPONENTS - It is not necessary to dismantle the cable gland any further than illustrated below

1. Entry Component
2. Compound Tube & Resin Dam
3. Washer
4. Nut
5. Running Coupling
6. Thread Shield



PLEASE READ ALL INSTRUCTIONS CAREFULLY BEFORE BEGINNING THE INSTALLATION

1. Prepare the cable (if used) by removing the outer sheath from the cores so that they are exposed within the Compound Tube when finally assembled.



2. If the installation involves a cable, remove any bedding or fillers from around the cable cores.

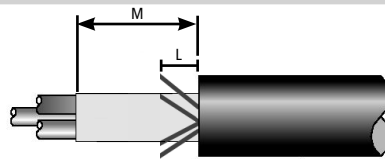
If the cable cores have braid screens, these should be unravelled and then twisted together to form a single core if required.

If the cable has individual and / or overall foil screens, the foils must be removed completely and the drain wire(s) passed through insulation tubing. NOTE: To ensure a proper seal, the drain wire should be exposed for up to 5mm next to the resin dam (so that the resin can bond to the drain wire elements). If heat shrink tubing is used it should be shrunk onto the drain wire.

Electrical tape MUST be wrapped around the tips of the cable cores to prevent damage to the resin dam when the cable is installed.

If the installation uses only cores (i.e. no cable sheath) then tape must be wrapped around the cores at the position at which it will engage the resin dam.

Use the length of the gland as a guide to position the tape as shown above (guide length "L").



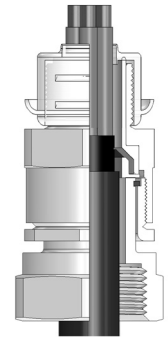
CABLE GLAND SIZE	205/16, 205, 20	255, 25, 32, 40	505, 50, 635, 63	755, 75, 90
CABLE STRIP LENGTH "L"	12 mm (0.472 inches)	15 mm (0.591 inches)	18 mm (0.709 inches)	20 mm (0.787 inches)
CABLE BEDDING "M"	35	40	42	50



3. Pass the cable/cores through the gland so that the cable sheath / the tape around the cores (if a cable is not being used) just passes through the resin dam. (Use guide length "L" to determine how far to push the cable into the gland.)

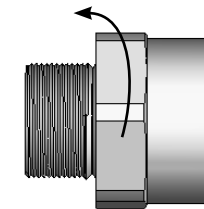
Secure the Entry Item assembly to the Running Coupling (5) by tightening Nut (4).

Fit the Thread Shield (6) and hold the assembly upright.

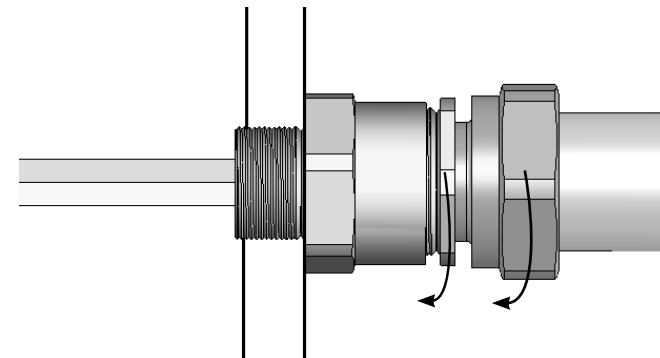


5. Refer to 'RapidEx Resin' assembly instructions to fill the connector Compound Tube with the required amount of resin. The resin should not be mixed or applied at temperatures below 5°C (40°F). If the general ambient temperature is below 5°C (40°F) please follow the instructions on CMP TDS 613 before proceeding. (Available on CMP website)

6. Once the resin has cured, remove the Thread Shield (6) and slacken the nut (4). Fit the Entry Item (1) into the equipment.



7. Attach the conduit to the Running Coupling (5) and fully tighten.



8. Finally, fully tighten the nut (4), into the entry component (1).