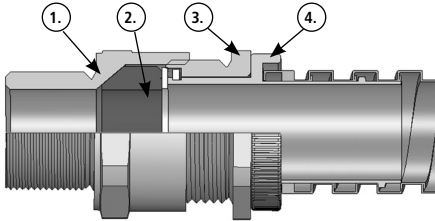


INSTALLATION INSTRUCTIONS FOR CMP CABLE GLAND TYPES A2FFC

CABLE GLAND COMPONENTS - It is not necessary to dismantle the cable gland any further than illustrated below

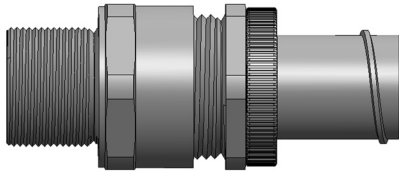
- 1. Entry Item
- 2. Seal
- 3. Seal Nut
- 4. Conduit Anchor



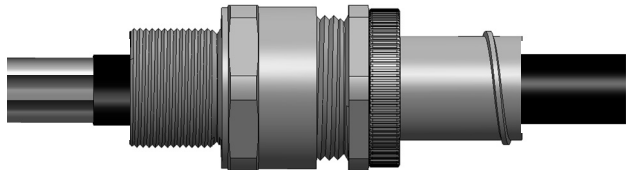
PLEASE READ ALL INSTRUCTIONS CAREFULLY BEFORE BEGINNING THE INSTALLATION

There is no need to disassemble the gland in order to fit it to the conduit.

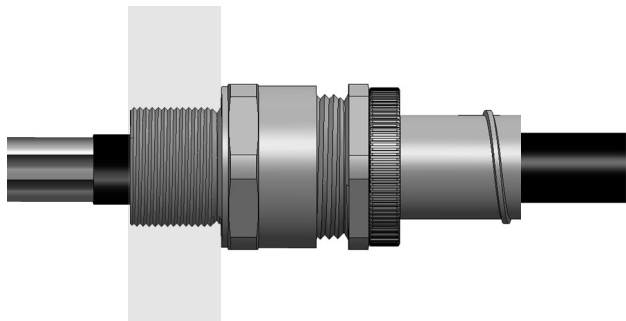
- 1. Slacken the seal nut (3) to relax the seal.



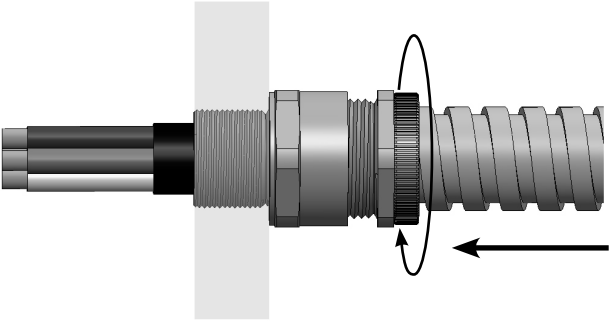
- 2. Pass enough cable through the seal (2) to suit the installation.



- 3. Fit the gland into the equipment and fully tighten the entry item (1).



- 4. Bring the conduit into engagement with the conduit anchor (4) and then screw the anchor into the conduit until it is fully engaged.



- 5. Tighten the seal nut (3) using a spanner until resistance is felt (when the seal engages the cable) and then tighten further one full turn with a spanner.

