

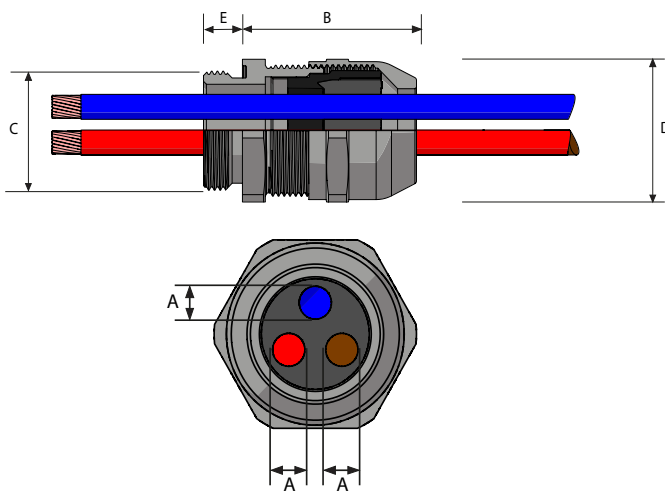
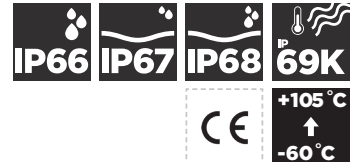
TRUSEAL TSM INDUSTRIAL, METALLIC CABLE GLAND

FOR ALL TYPES OF UNARMoured & BRAIDED / SCREENED CABLES

- Unique strain relief sealing system
- Third party certified to IEC/EN 62444
- Widest cable range take on the market
- Easy to install
- Robust design, high quality materials
- O-ring interface seal included as standard
- Transit disc or IP68, IP69 and IP69K rated IP plug options available
- Product supplied in nickel-plated brass, or stainless steel on request
- Nickel-plated brass locknut available (ordering suffix 2TN)



shown in Nickel-Plated Brass with a MultiSeal



TECHNICAL DATA	
DESIGN SPECIFICATION	IEC 62444, EN 62444 (EN Metric only)
IEC CERTIFICATION	CML 20CA12915
MECHANICAL CLASSIFICATION*	Impact = Level 6, Cable Anchorage = Type A
ENCLOSURE PROTECTION	IK08 to IEC 62262 (7 joules)
INGRESS PROTECTION RATING	IP66, IP67, IP68**, IP69 and IP69K
CABLE GLAND MATERIAL	Nickel-plated brass, Stainless Steel (option)
SEAL MATERIAL	CMP SOLO LSF Halogen-free Thermostet Elastomer
CABLE TYPE	Unarmoured and Braided (when braid is terminated inside enclosure)
SEALING TECHNIQUE	CMP unique strain relief sealing system
SEALING AREA(S)	Cable Outer Sheath

* Mechanical classifications applied as per IEC/EN 62444

** IP68 tested to 300 kPa for 16 hours (equivalent to 30 metres water depth)

PRODUCT SELECTION TABLE WITH MULTISEAL RANGE

MULTISEAL		AVAILABLE ENTRY THREADS 'C'					OVERALL CABLE DIAMETER 'OS'			ACROSS FLATS 'AC'	ACROSS CORNERS 'AC'	PROTRUSION LENGTH 'PL'	WEIGHT GLAND ONLY † (KG)
CABLE GLAND ONLY	CABLE GLAND WITH LOCKNUT	STANDARD		OPTION (See part number note under table)			NO. OF HOLES	MIN	MAX				
		METRIC	THREAD LENGTH (METRIC) 'E'	LONG THREAD LENGTH (METRIC) 'E'	NPT	THREAD LENGTH (NPT) 'E'							
16MS1TSMITA5	16MS1TSM2TN5	M16	6.0	12.0	3/8"	11.0	2	2.0	4.0	20.0	22.0	23.6	0.033
16MS2TSMITA5	16MS2TSM2TN5	M16	6.0	12.0	3/8"	11.0	3	1.0	2.0	20.0	22.0	23.6	0.033
20MS1TSMITA5	20MS1TSM2TN5	M20	6.5	12.0	1/2"	14.0	2	3.0	5.0	24.0	26.4	26.7	0.047
20MS2TSMITA5	20MS2TSM2TN5	M20	6.5	12.0	1/2"	14.0	3	2.0	4.0	24.0	26.4	26.7	0.048
20MS3TSMITA5	20MS3TSM2TN5	M20	6.5	12.0	1/2"	14.0	4	2.0	4.0	24.0	26.4	26.7	0.047
25MS1TSMITA5	25MS1TSM2TN5	M25	7.0	12.0	3/4"	15.0	2	3.0	6.0	30.0	33.0	32.0	0.086
25MS2TSMITA5	25MS2TSM2TN5	M25	7.0	12.0	3/4"	15.0	2	5.0	7.0	30.0	33.0	32.0	0.085
25MS3TSMITA5	25MS3TSM2TN5	M25	7.0	12.0	3/4"	15.0	2	5.0	8.0	30.0	33.0	32.0	0.085
25MS4TSMITA5	25MS4TSM2TN5	M25	7.0	12.0	3/4"	15.0	3	3.0	6.0	30.0	33.0	32.0	0.085
25MS5TSMITA5	25MS5TSM2TN5	M25	7.0	12.0	3/4"	15.0	3	5.0	7.0	30.0	33.0	32.0	0.085
25MS6TSMITA5	25MS6TSM2TN5	M25	7.0	12.0	3/4"	15.0	4	3.0	5.0	30.0	33.0	32.0	0.085
25MS7TSMITA5	25MS7TSM2TN5	M25	7.0	12.0	3/4"	15.0	4	4.0	6.0	30.0	33.0	32.0	0.085
25MS8TSMITA5	25MS8TSM2TN5	M25	7.0	12.0	3/4"	15.0	5	2.0	4.0	30.0	33.0	32.0	0.086
25MS9TSMITA5	25MS9TSM2TN5	M25	7.0	12.0	3/4"	15.0	5	3.0	5.0	30.0	33.0	32.0	0.085
25MS10TSMITA5		M25	7.0	12.0	3/4"	15.0	4	5.0	6.5	30.0	33.0	32.0	0.085
32MS1TSMITA5	32MS1TSM2TN5	M32	8.0	12.0	1"	18.0	3	6.0	10.2	39.0	42.9	37.8	0.140
32MS2TSMITA5	32MS2TSM2TN5	M32	8.0	12.0	1"	18.0	1	4.0	6.8	39.0	42.9	37.8	0.140
							2	7.0	10.2				
32MS3TSMITA5	32MS3TSM2TN5	M32	8.0	12.0	1"	18.0	1	5.0	7.6	39.0	42.9	37.8	0.140
							2	9.0	11.7				
32MS4TSMITA5	32MS4TSM2TN5	M32	8.0	12.0	1"	18.0	4	5.0	8.0	39.0	42.9	37.8	0.140
32MS5TSMITA5	32MS5TSM2TN5	M32	8.0	12.0	1"	18.0	6	4.0	6.0	39.0	42.9	37.8	0.141
32MS6TSMITA5	32MS6TSM2TN5	M32	8.0	12.0	1"	18.0	8	2.0	4.0	39.0	42.9	37.8	0.142
32MS7TSMITA5	32MS7TSM2TN5	M32	8.0	12.0	1"	18.0	8	3.0	5.0	39.0	42.9	37.8	0.140
40MS1TSMITA5	40MS1TSM2TN5	M40	8.0	15.0	1-1/4"	18.0	1	7.0	10.2	50.0	55.0	44.7	0.271
							2	8.0	11.7				
40MS2TSMITA5	40MS2TSM2TN5	M40	8.0	15.0	1-1/4"	18.0	4	7.0	10.0	50.0	55.0	44.7	0.269

Part numbers in table are for standard metric entry threads. Please see page 2 for alternative part number builder & seal table.

† Weight displayed for standard metric entry thread only.

For MOQ please contact CMP directly.

Dimensions displayed in mm unless otherwise specified.

HOW TO ORDER

Size	Seal Type	Gland Type	Accessory Reference	Material	Thread Option
12	MS	TSM	1TA	4	-
16	MULTISEAL followed by seal reference See table below for seal reference	TSM	1TA	STANDARD	4
20			2TN	LOCKNUT (TN)	5
25			1TD	TRANSIT DISC	
32			2TDN	TRANSIT DISC & LN	
40			1TP	IP PLUG	
50			2TPN	IP PLUG & LN	
63					
20	MS2	TSM	2TN	5	T

EXAMPLE: 20MS2TSM2TN5T = SIZE 20, MULTISEAL 2 SEAL, TSM METALLIC DOME TOP INDUSTRIAL, W/LOCKNUT, NICKEL PLATED BRASS MATERIAL, NPT THREAD OPTION

MULTISEAL COMBINATIONS & HOLE SIZE

SIZE	16				20				25				32				40			
	DIAGRAM	NO. OF HOLES	APPLICATION	SEALING RANGE		DIAGRAM	NO. OF HOLES	APPLICATION	SEALING RANGE		DIAGRAM	NO. OF HOLES	APPLICATION	SEALING RANGE		DIAGRAM	NO. OF HOLES	APPLICATION	SEALING RANGE	
				MIN	MAX				MIN	MAX				MIN	MAX				MIN	MAX
MS1		2	I	2.0	4.0		2	I	3.0	5.0		2	I	3.0	6.0		3	I	1X7.0	1X10.2
			H	3.0	4.0			H	3.0	5.0			H	4.0	6.0			H	8.0	10.2
MS2		3	I	1.0	2.0		3	I	2.0	4.0		2	I	5.0	7.0		3	I	1X4.0	1X6.8
			H	1.0	2.0			H	3.0	4.0			H	5.0	7.0			H	8.0	10.2
MS3		4	I	2.0	4.0		4	I	2.0	4.0		2	I	5.0	8.0		3	I	1X5.0	1X7.6
			H	3.0	4.0			H	3.0	4.0			H	6.0	8.0			H	1X6.0	1X7.6
MS4		6	I	2.5	3.5		6	I	2.5	3.5		3	I	3.0	6.0		4	I	5.0	8.0
			H	2.5	3.5			H	2.5	3.5			H	4.0	6.0			H	6.0	8.0
MS5		3	I	5.0	7.0		3	I	5.0	7.0		6	I	4.0	6.0		6	I	4.0	6.0
			H	5.0	7.0			H	5.0	7.0			H	4.0	6.0			H	4.0	6.0
MS6		4	I	3.0	5.0		4	I	3.0	5.0		8	I	2.0	4.0		8	I	2.0	4.0
			H	3.0	5.0			H	3.0	5.0			H	3.0	4.0			H	3.0	4.0
MS7		4	I	4.0	6.0		4	I	4.0	6.0		8	I	3.0	5.0		8	I	3.0	5.0
			H	4.0	6.0			H	4.0	6.0			H	4.0	5.0			H	4.0	5.0
MS8		5	I	2.0	4.0		5	I	2.0	4.0		5	I	3.0	5.0		5	I	3.0	5.0
			H	2.0	4.0			H	2.0	4.0			H	3.0	5.0			H	3.0	5.0
MS9		5	I	3.0	5.0		5	I	3.0	5.0		5	I	3.0	5.0		5	I	3.0	5.0
			H	3.0	5.0			H	3.0	5.0			H	3.0	5.0			H	3.0	5.0
MS10		4	I	5.0	6.5		4	I	5.0	6.5		4	I	5.0	6.5		4	I	5.0	6.5
			H	5.0	6.5			H	5.0	6.5			H	5.0	6.5			H	5.0	6.5

I = Industrial H = Hazardous