

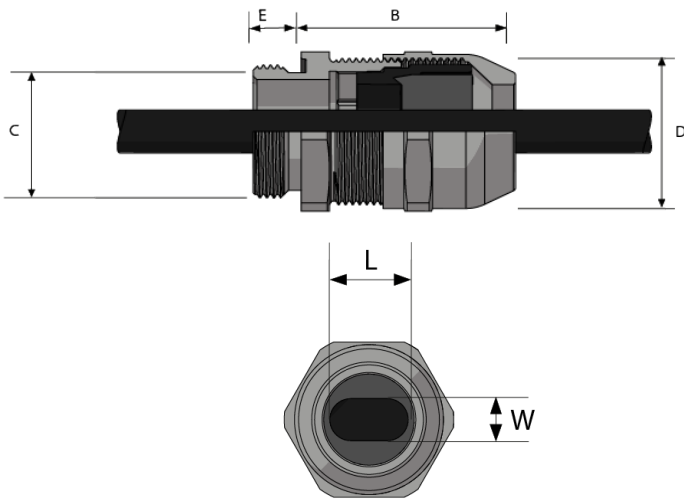
TRUSEAL TSM INDUSTRIAL, METALLIC CABLE GLAND

FOR ALL TYPES OF UNARMoured & BRAIDED / SCREENED FLAT CABLES

- Unique strain relief sealing system
- Third party certified to IEC/EN 62444
- Widest cable range take on the market
- Easy to install
- Robust design, high quality materials
- O-ring interface seal included as standard
- Transit disc or IP68, IP69 and IP69K rated IP plug options available
- Product supplied in nickel-plated brass, or stainless steel on request
- Nickel-plated brass locknut available (ordering suffix 2TN)



shown in Nickel-Plated Brass with a Platform seal



TECHNICAL DATA	
DESIGN SPECIFICATION	IEC 62444, EN 62444 (EN Metric only)
IEC CERTIFICATION	CML 20CA12915
MECHANICAL CLASSIFICATION*	Impact = Level 6, Cable Anchorage = Type A
ENCLOSURE PROTECTION	IK08 to IEC 62262 (7 joules)
INGRESS PROTECTION RATING	IP66, IP67, IP68**, IP69 and IP69K
CABLE GLAND MATERIAL	Nickel-plated brass, Stainless Steel (option)
SEAL MATERIAL	CMP SOLO LSF Halogen-free Thermoset Elastomer
CABLE TYPE	Unarmoured and Braided (when braid is terminated inside enclosure)
SEALING TECHNIQUE	CMP unique strain relief sealing system
SEALING AREA(S)	Cable Outer Sheath

* Mechanical classifications applied as per IEC/EN 62444
 ** IP68 tested to 300 kPa for 16 hours (equivalent to 30 metres water depth)

PRODUCT SELECTION TABLE WITH PLATFORM SEALING RANGE

PLATFORM		AVAILABLE ENTRY THREADS 'C'					OVERALL CABLE DIAMETER 'OS'				ACROSS FLATS 'AC'	ACROSS CORNERS 'AC'	PROTRUSION LENGTH 'PL'	WEIGHT GLAND ONLY † (KG)
CABLE GLAND ONLY	CABLE GLAND WITH LOCKNUT	STANDARD		OPTION (See part number note under table)			HOLE LENGTH 'L'		HOLE LENGTH 'W'					
		METRIC	THREAD LENGTH (METRIC) 'E'	LONG THREAD LENGTH (METRIC) 'E'	NPT	THREAD LENGTH (NPT) 'E'	MIN	MAX	MIN	MAX				
16FF1TSMITA5	16FF1TSM2TN5	M16	6.0	12.0	3/8"	11.0	7.0	4.0	8.2	5.0	20.0	22.0	23.6	0.033
16FF2TSMITA5	16FF2TSM2TN5	M16	6.0	12.0	3/8"	11.0	8.0	4.0	10.0	6.0	20.0	22.0	23.6	0.033
20FF1TSMITA5	20FF1TSM2TN5	M20	6.5	12.0	1/2"	14.0	7.0	4.0	8.2	5.0	24.0	26.4	26.7	0.047
20FF2TSMITA5	20FF2TSM2TN5	M20	6.5	12.0	1/2"	14.0	8.0	4.0	10.3	6.0	24.0	26.4	26.7	0.047
20FF3TSMITA5	20FF3TSM2TN5	M20	6.5	12.0	1/2"	14.0	10.0	4.0	11.9	6.25	24.0	26.4	26.7	0.047
20FF4TSMITA5	20FF4TSM2TN5	M20	6.5	12.0	1/2"	14.0	11.0	4.0	13.5	7.0	24.0	26.4	26.7	0.047
25FF1TSMITA5	25FF1TSM2TN5	M25	7.0	12.0	3/4"	15.0	8.0	4.0	10.3	6.0	30.0	33.0	32.0	0.085
25FF2TSMITA5	25FF2TSM2TN5	M25	7.0	12.0	3/4"	15.0	9.4	4.7	12.4	6.5	30.0	33.0	32.0	0.085
25FF3TSMITA5	25FF3TSM2TN5	M25	7.0	12.0	3/4"	15.0	9.7	7.0	12.4	8.8	30.0	33.0	32.0	0.085
25FF4TSMITA5	25FF4TSM2TN5	M25	7.0	12.0	3/4"	15.0	10.2	3.4	13.2	5.2	30.0	33.0	32.0	0.085
25FF5TSMITA5	25FF5TSM2TN5	M25	7.0	12.0	3/4"	15.0	10.8	5.4	13.8	7.2	30.0	33.0	32.0	0.085
25FF6TSMITA5	25FF6TSM2TN5	M25	7.0	12.0	3/4"	15.0	12.0	3.2	15.0	5.0	30.0	33.0	32.0	0.085
25FF7TSMITA5	25FF7TSM2TN5	M25	7.0	12.0	3/4"	15.0	12.9	5.9	15.9	7.7	30.0	33.0	32.0	0.085
25FF8TSMITA5	25FF8TSM2TN5	M25	7.0	12.0	3/4"	15.0	7.0	2.2	10.0	4.0	30.0	33.0	32.0	0.086
32FF1TSMITA5	32FF1TSM2TN5	M32	8.0	12.0	1"	18.0	14.0	5.0	17.1	10.0	39.0	42.9	37.8	0.141
40FF1TSMITA5	40FF1TSM2TN5	M40	8.0	15.0	1-1/4"	18.0	15.0	6.0	19.4	10.0	50.0	55.0	44.7	0.273

Part numbers in table are for standard metric entry threads. Please see page 2 for alternative part number builder & seal table.

† Weight displayed for standard metric entry thread only.

For MOQ please contact CMP directly.

Dimensions displayed in mm unless otherwise specified.

HOW TO ORDER

Size	Seal Type	Gland Type	Accessory Reference	Material	Thread Option
12	FF	TSM	1TA	4	METRIC SHORT
16	See table below for seal reference	METALLIC DOME TOP INDUSTRIAL	2TN	5	METRIC LONG
20			1TD		METRIC SLOTTED
25			2TDN		NPT
32					PG
40					
50					
63					
20			FF1	TSM	2TN

EXAMPLE: 20FF1TSM2TN5T = SIZE 20, PLATFORM 1 SEAL, TSM METALLIC DOME TOP INDUSTRIAL, W/LOCKNUT, NICKEL PLATED BRASS MATERIAL, NPT THREAD OPTION

PLATFORM COMBINATIONS & HOLE SIZE

SIZE	16					20					25					32					40				
	DIAGRAM	NO. OF HOLES	HOLE SIZE	SEALING RANGE		DIAGRAM	NO. OF HOLES	HOLE SIZE	SEALING RANGE		DIAGRAM	NO. OF HOLES	HOLE SIZE	SEALING RANGE		DIAGRAM	NO. OF HOLES	HOLE SIZE	SEALING RANGE						
				MIN	MAX				MIN	MAX				MIN	MAX				MIN	MAX					
FF1		1	L	7.0	8.2		1	L	7.0	8.2		2	L	8.0	10.3		1	L	14.0	17.1		1	L	15.0	19.4
			W	4.0	5.0			W	4.0	5.0			W	4.0	6.0			W	5.0	10.0			W	6.0	10.0
FF2		1	L	8.0	10.0		1	L	8.0	10.3		1	L	9.4	12.4										
			W	4.0	6.0			W	4.0	6.0			W	4.7	6.5										
FF3						1	L	10.0	11.9		1	L	9.7	12.4											
							W	4.0	6.25			W	7.0	8.8											
FF4						1	L	11.0	13.5		1	L	10.2	13.2											
							W	4.0	7.0			W	3.4	5.2											
FF5						1	L	9.0	11.3		1	L	10.8	13.8											
							W	7.0	8.3			W	5.4	7.2											
FF6											1	L	12.0	15.0											
												W	3.2	5.0											
FF7											1	L	12.9	15.9											
												W	5.9	7.7											
FF8											1	L	7.0	10.0											
												W	2.2	4.0											

L = Hole Length W = Hole Width