

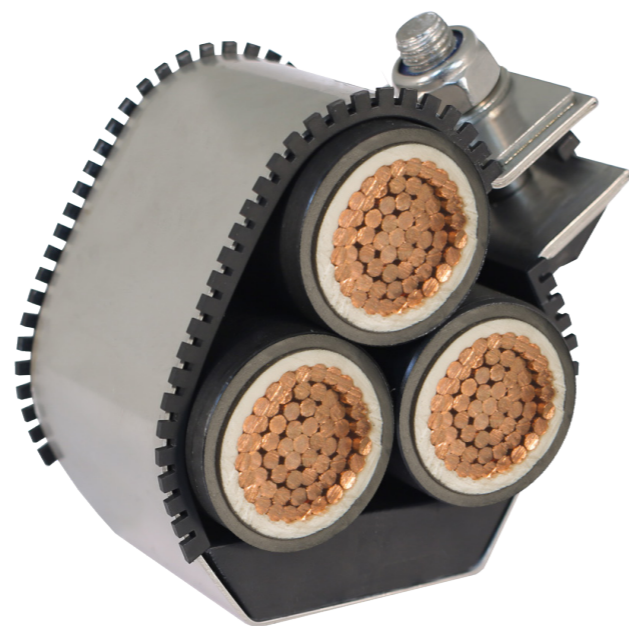
PATRIOT HINGELESS (SDSSH)

The Patriot cable cleats are metallic cable cleats which have been designed, constructed, and tested in accordance with the International Standard 'cable cleats for Electrical Installations' IEC 61914 to ensure the securing and retention of cables, without sustaining damage to the cable.

The range is fabricated from 316L stainless steel, giving it high creep strength whilst providing excellent corrosion resistance in the harshest of environments. The Patriot cable cleats are available for trefoil application / formation for diameters of 17mm to 128mm in 24 sizes.

The cleat has three M10 fixing clearance holes within one base allowing versatility to the installer during installation, and is designed to enable the product to be secured to a variety of mounting surfaces.

Liners come as standard which help to restrain the cable(s) within vertical applications. Where thermal elongation of cables occurs, the liner also provides a layer of protection between the cable sheath and the cable cleat during normal operation. This additional layer protects the cable from chafing on any mounting surface due to differential movements such as those found in marine and offshore applications. The liners also assist in the extra protection of cable(s) in the event of short circuit fault conditions. The standard liners supplied are classified as Low Smoke & Fume (LSF), Zero Halogen (LSOH) and Phosphorus Free.



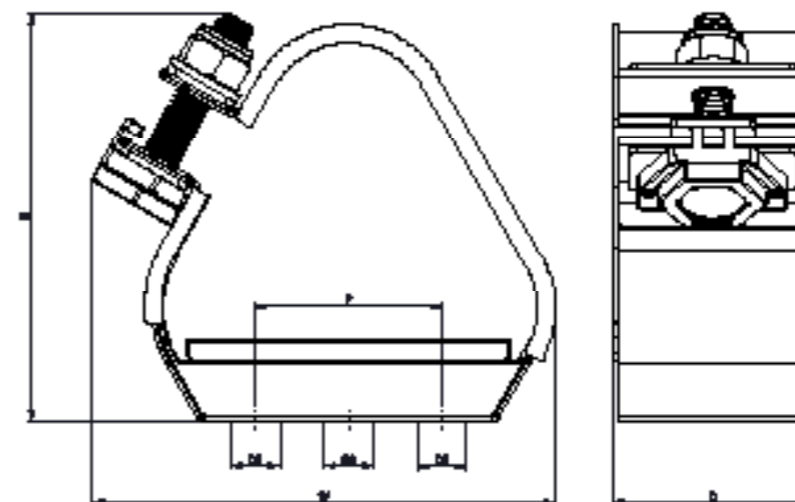
FEATURES

- Third party certification to IEC 61914
- 316L stainless steel
- 17 - 128mm in 24 sizes for trefoil formation / application
- Short circuit rating of 135kA peak fault
- Operating temperature -60°C to +60°C
- Liners are classified as Low Smoke & Fume (LSF), Zero Halogen (LSOH) and Phosphorus Free
- Combined single (M10) or two bolt (M10) fixing design
- High temperature option available -60°C to +130°C
 - Low smoke, low toxicity, halogen free, V0 flame retardant
- Meets all IEC 61914 requirements
- To order, add suffix HT. Example order reference for high temperature cleat: SDSS023028HHT

TECHNICAL DATA & CLASSIFICATION	
TYPE	6.1.3 Composite SDSSH - Standard Duty Stainless Steel
DESIGN SPECIFICATION	IEC 61914
TEMPERATURE FOR PERMANENT APPLICATION	-60°C to +60°C High temperature (HT option) -60°C to +130°C IEC 61914 clause 6.2
NEEDLE FLAME TEST	Pass - 120 second flame application time IEC 61914 clause 10.0, 10.1, IEC 60695-11-5
LATERAL LOAD TEST	Refer to CMP Products, IEC 61914 clause 9.3
AXIAL LOAD TEST	0.6kN, IEC 61914 clause 9.4
IMPACT RESISTANCE	Pass - Very heavy IEC 61914 clause 6.3, 6.3.5, 9.2
MATERIAL	316L Stainless Steel with Standard Liner Standard liners are classified as Low Smoke & Fume (LSF), Zero Halogen (LSOH) and Phosphorus Free

SHORT CIRCUIT TESTING TO IEC 61914 - CLAUSE 9.5			
TREFOIL FORMATION			
One short circuit 300mm fixed cleat centres	Two short circuits 300mm fixed cleat centres	Two short circuits 600mm fixed cleat centres	Two short circuits 600mm fixed cleat centres
0.1sec	1sec	0.1sec	1sec
135kA Peak	80kA Peak	108kA Peak	75kA Peak
58.8kA r.m.s	38.3kA r.m.s	49.1kA r.m.s	35.7kA r.m.s

300MM PATRIOT SDSS (0.1 SEC)	
CABLE OD (MM)	PEAK kA
36	135.0
38	138.7
43	147.5
59	172.8
65	181.4



CABLE CLEAT SELECTION TABLE								
PATRIOT PART NO.	CABLE Ø RANGE TAKE (MM)	DIMENSIONS (MM)						WEIGHT (g)
		W	H	D	P	FIXING HOLE Ø		
						D1	D2	
SDSS017021H	17-21	85	84	54	25	2 x M10	1 x M10	256
SDSS019024H	19-24	86	87	54	25	2 x M10	1 x M10	263
SDSS023028H	23-28	88	92	54	25	2 x M10	1 x M10	269
SDSS027032H	27-32	95	97	54	25	2 x M10	1 x M10	275
SDSS030035H	30-35	101	101	54	25	2 x M10	1 x M10	280
SDSS033038H	33-38	106	104	54	25	2 x M10	1 x M10	287
SDSS036042H	36-42	115	109	54	50	2 x M10	1 x M10	346
SDSS040046H	40-46	120	114	54	50	2 x M10	1 x M10	354
SDSS044050H	44-50	127	116	54	50	2 x M10	1 x M10	360
SDSS048055H	48-55	136	123	54	50	2 x M10	1 x M10	371
SDSS051058H	51-58	141	129	54	50	2 x M10	1 x M10	377
SDSS055062H	55-62	150	136	54	75	2 x M10	1 x M10	433
SDSS059066H	59-66	154	144	54	75	2 x M10	1 x M10	440
SDSS063070H	63-70	159	151	54	75	2 x M10	1 x M10	447
SDSS067074H	67-74	166	159	54	75	2 x M10	1 x M10	455
SDSS071078H	71-78	173	166	54	75	2 x M10	1 x M10	464
SDSS074082H	74-82	180	174	54	75	2 x M10	1 x M10	539
SDSS077085H	77-85	186	179	54	75	2 x M10	1 x M10	544
SDSS082088H	82-88	190	185	54	75	2 x M10	1 x M10	549
SDSS088096H	88-96	202	200	54	75	2 x M10	1 x M10	565
SDSS096103H	96-103	215	213	54	75	2 x M10	1 x M10	579
SDSS103111H	103-111	234	228	54	75	2 x M10	1 x M10	661
SDSS111119H	111-119	249	243	54	75	2 x M10	1 x M10	677
SDSS119128H	119-128	265	259	54	75	2 x M10	1 x M10	695

Add suffix HT for high temperature option. Example order reference: SDSS033038HHT

Coatings are available upon request by adding the following suffixes to the ordering reference - EC for epoxy coating, PC for polyester coating and TC for thermoplastic coating. Example order reference for epoxy coating suffix EC (SDSS030035HEC). Fasteners required to secure the cable cleat to the support structure are not included but can be supplied upon request - see cleat fixing pack page. Isolation/separation pads (to prevent corrosion between two dissimilar metals) are not included but can be supplied on request - see isolation/separation pad page.

