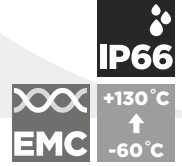
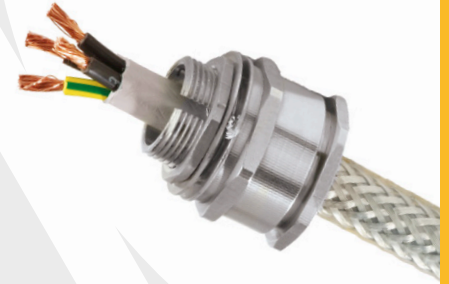


CXT SINGLE SEAL INDUSTRIAL CABLE GLAND

FOR SCREENED FLEXIBLE (EMC) BRAIDED CABLES

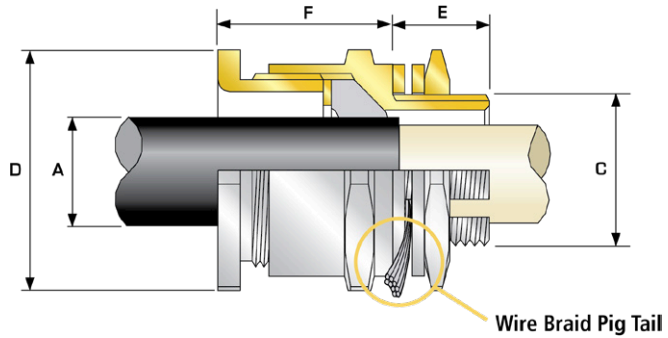
- Easy install
- Mechanical retention of wire braid for electrical continuity
- Displacement type seal
- -60°C to +130°C
- Superior EMC performance



TECHNICAL CLASSIFICATION	
DESIGN SPECIFICATION	BS 6121:Part 1:1989, IEC 62444, EN 62444
MECHANICAL CLASSIFICATION*	Impact = Level 8, Cable Anchorage = Class B
ENCLOSURE PROTECTION	IK10 to IEC 62262 (20 joules) Brass & Stainless Steel only
ELECTRICAL CLASSIFICATIONS*	Category A
INGRESS PROTECTION RATING**	IP66
DELUGE PROTECTION COMPLIANCE	DTS01 : 91
CABLE GLAND MATERIAL	Brass, Electroless Nickel Plated Brass, Stainless Steel, Aluminium
CABLE TYPE	Screened Flexible (EMC) Wire Braid (e.g. CY / SY), Wire Braid Armour
SEAL MATERIAL	CMP Thermoset Rubber
SEALING TECHNIQUE	CMP Unique Displacement Seal Concept
SEALING AREA(S)	Cable Outer Sheath
INCLUDED ACCESSORIES	Locknut & Washer

* Mechanical & Electrical Classifications applied as per IEC 62444 & EN 62444. ** When CMP installation accessories are used. Refer to www.cmp-products.com for further information. Supplied with Locknut & Washer

GLOBAL PRODUCT CERTIFICATION	
GOST R CERTIFICATE	POCC GB.HA46.H00140



COMBINED ORDERING REFERENCE			ENTRY THREAD "C"	THREAD LENGTH (METRIC) "E"	OVERALL CABLE DIAMETER "A"		ACROSS FLATS "D"	ACROSS CORNERS "D"	PROTRUSION LENGTH "F"	SHROUD	CABLE GLAND WEIGHT (kgs)
SIZE	TYPE	ORDERING SUFFIX			MIN	MAX	MAX	MAX			
20S16	CXT	1RA	M20	15.0	3.2	8.7	24.0	26.4	25.4	PVC04	0.070
20S	CXT	1RA	M20	15.0	6.1	11.7	24.0	26.4	25.4	PVC04	0.060
20	CXT	1RA	M20	15.0	6.5	14.0	27.0	29.7	27.2	PVC05	0.070
25	CXT	1RA	M25	15.0	11.1	20.0	36.0	39.6	36.3	PVC09	0.130
32	CXT	1RA	M32	15.0	17.0	26.3	41.0	45.1	34.5	PVC10	0.150
40	CXT	1RA	M40	15.0	23.5	32.2	50.0	55.0	35.6	PVC13	0.210
50S	CXT	1RA	M50	15.0	31.0	38.2	55.0	60.5	32.3	PVC15	0.260
50	CXT	1RA	M50	15.0	35.6	44.0	60.0	66.0	36.6	PVC18	0.270
63S	CXT	1RA	M63	15.0	41.5	49.9	70.5	77.6	33.5	PVC21	0.410
63	CXT	1RA	M63	15.0	47.2	55.9	75.0	82.5	35.8	PVC23	0.400
75S	CXT	1RA	M75	15.0	54.0	61.9	80.0	88.0	36.8	PVC25	0.530
75	CXT	1RA	M75	15.0	61.1	67.9	84.0	92.4	40.6	PVC26	0.500
90	CXT	1RA	M90	24.0	66.6	79.9	108.0	118.8	58.3	PVC31	1.600
100	CXT	1RA	M100	24.0	76.0	91.0	123.0	135.3	55.2	LSF33	1.780
115	CXT	1RA	M115	24.0	86.0	97.9	133.4	146.7	65.2	LSF34	2.670
130	CXT	1RA	M130	24.0	97.0	114.9	152.4	167.6	73.9	LSF35	3.800

* For material options add the following suffix to the Ordering Reference; Brass (no suffix required); Nickel Plated Brass '5'; 316 Grade Stainless Steel '4'; Copper Free Aluminium '1' For NPT options add the following digits to the material suffix; 1/2" = 31; 3/4" = 32; 1" = 33; 1 1/4" = 34; 1 1/2" = 35; 2" = 36; 2 1/2" = 37; 3" = 38; 3 1/2" = 39; 4" = 310 (Brass requires prefix '0')

Examples: 32CXT1RA534 = Nickel Plated Brass 1 1/4" NPT, 50SCXT1RA035 = Brass 1 1/2" NPT, 25CXT1RA432 = Stainless Steel 3/4" NPT, 20CXT1RA5 = Nickel Plated Brass M20

Dimensions are displayed in millimetres unless otherwise stated