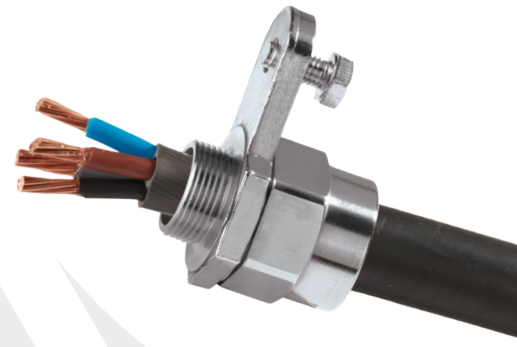


# BWL CIEL

## BWL HEAVY DUTY INDUSTRIAL CAST INTEGRAL EARTH LUG CABLE GLAND

### FOR ALL TYPES OF STEEL & ALUMINIUM WIRE ARMoured CABLES

- External earth connection
- Third party short circuit tested
- Metal-to-metal armour clamping
- Direct & remote installation
- Robust, heavy duty design
- Permanently crimped, low impedance earth termination
- Secure against self-loosening
- Longer body protects armour wires from impact
- -60°C to +200°C
- Superior EMC performance

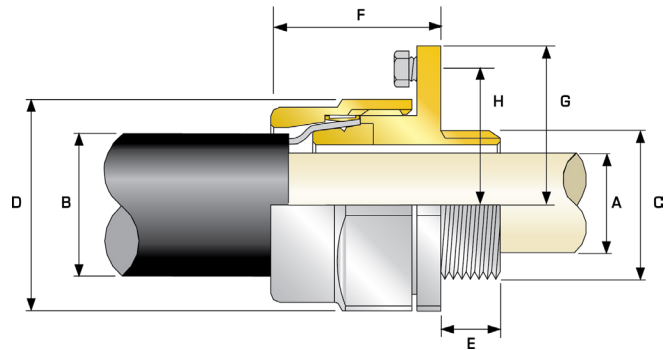


TECHNICAL CLASSIFICATION	
DESIGN SPECIFICATION	BS 6121 : Part 1: 1989
MECHANICAL CLASSIFICATION*	Impact = Level 8, Cable Anchorage = Class B
ENCLOSURE PROTECTION	IK10 to IEC 62262 (20 joules)
ELECTRICAL CLASSIFICATIONS*	Category C
INGRESS PROTECTION RATING**	IP2X
CABLE GLAND MATERIAL	Brass, Electroless Nickel Plated Brass
CABLE TYPE	Single Wire Armour (SWA), Aluminium Wire Armour (AWA)
ARMOUR CLAMPING	Armour Cone & AnyWay Universal Clamping Ring

\* Mechanical & Electrical Classifications applied as per IEC 62444 & EN 62444. As IEC 62444 and EN 62444 do not cover cable glands which are supplied without cable sealing rings, the information provided here is for information only, since this product does not fully conform to these standards. \*\* When CMP installation accessories are used. Refer to www.cmp-products.com for further information.

The Symmetrical Fault Current (kA) rating for 1 second applicable to the Cast Integral Earth Lug featured in the BWL CIEL products are as follows:  
 26.0 kA for Cable Gland sizes up to 40  
 43.0 kA for Cable Gland sizes 50S and above.

GLOBAL PRODUCT CERTIFICATION	
MARINE APPROVALS	LRS: 01/00171 , ABS: 16-LD1472056-PDA



COMBINED ORDERING REFERENCE (*BRASS METRIC)			AVAILABLE ENTRY THREADS "C" (ALTERNATE METRIC THREAD LENGTHS AVAILABLE)		CABLE BEDDING DIAMETER "A"	OVERALL CABLE DIAMETER "B"	ARMOUR RANGE		ACROSS FLATS "D"	ACROSS CORNERS "D"	PROTRUSION LENGTH "F"	NOMINAL RADIUS DIMENSION		CIEL EARTH BOLT SIZE	EARTH FAULT CURRENT RATING (KA)	CABLE GLAND WEIGHT (kgs)
			STANDARD	THREAD LENGTH (METRIC) "E"			MIN	MAX				"H"	"G"			
SIZE	TYPE	ORDERING SUFFIX	METRIC	THREAD LENGTH (METRIC) "E"	MAX	MAX	MIN	MAX	MAX	MAX		"H"	"G"			
20S	BWLC	1RA	M20	10.0	11.7	15.9	0.8	1.25	24.0	26.4	32.2	28.6	38.6	M8	26.0	0.112
20	BWLC	1RA	M20	10.0	14.0	20.9	0.8	1.25	30.5	33.6	30.6	31.8	41.8	M8	26.0	0.158
25	BWLC	1RA	M25	10.0	20.0	26.2	1.25	1.6	37.5	41.3	36.4	38.1	50.8	M8	26.0	0.224
32	BWLC	1RA	M32	10.0	26.2	33.9	1.6	2.0	46.0	50.6	32.6	41.3	54.0	M8	26.0	0.244
40	BWLC	1RA	M40	15.0	32.2	40.4	1.6	2.0	55.0	60.5	36.9	50.8	68.3	M10	26.0	0.538
50S	BWLC	1RA	M50	15.0	38.2	46.7	2.0	2.5	60.0	66.0	39.6	57.2	74.6	M12	43.0	0.670
50	BWLC	1RA	M50	15.0	44.1	53.1	2.0	2.5	70.1	77.1	39.1	60.3	79.4	M12	43.0	0.718
63S	BWLC	1RA	M63	15.0	50.0	59.4	2.0	2.5	75.0	82.5	52.0	70.0	90.5	M12	43.0	1.226
63	BWLC	1RA	M63	15.0	56.0	65.9	2.0	2.5	80.0	88.0	49.8	70.0	90.5	M12	43.0	1.178
75S	BWLC	1RA	M75	15.0	62.0	72.1	2.0	2.5	90.0	99.0	63.7	76.2	98.5	M12	43.0	1.859
75	BWLC	1RA	M75	15.0	68.0	78.5	2.5	3.0	100.0	110.0	57.3	82.6	108.0	M12	43.0	2.054
90	BWLC	1RA	M90	24.0	79.0	90.4	3.15	4.0	114.3	125.7	66.0	95.3	108.0	M12	43.0	2.926
100	BWLC	1RA	M100	24.0	90.0	101.5	3.15	4.0	123.0	135.3	80.0	101.6	139.7	M12	43.0	3.032
115	BWLC	1RA	M115	24.0	98.0	110.3	3.15	4.0	133.4	146.7	98.0	112.0	138.5	M12	43.0	4.066
130	BWLC	1RA	M130	24.0	115.0	123.3	3.15	4.0	152.4	167.6	110.0	112.0	138.5	M12	43.0	5.245

\*For material options add the following suffix to the Ordering Reference; Brass (no suffix required), Nickel Plated Brass '5', 316 Grade Stainless Steel '4', Copper Free Aluminium '1'

Examples: 32BWL1RA5 = Nickel Plated Brass, 25BWL1RA4 = Stainless Steel

Dimensions are displayed in millimetres unless otherwise stated