

## 784

### 784 45° UNION, GLOBALLY APPROVED, EXPLOSIVE ATMOSPHERE CABLE / CONDUIT ACCESSORY

- Allows the connection of conduit or glands to equipment
- Suitable for rigid or flexible conduit
- Integral coupling eliminates the need to rotate the conduit
- General purpose / industrial version available
- Equipment interface o-ring seal available
- -60°C to +200°C
- Globally marked, UKEX, IECEx, ATEX and cCSAus



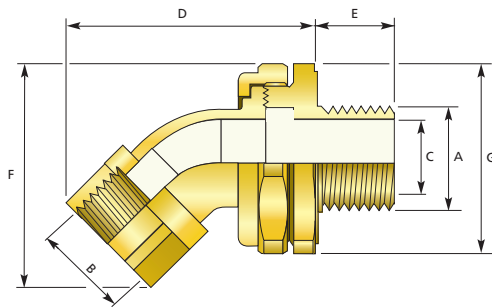
**IP66**  
+200°C  
↑  
-60°C

**Ex db Ex eb Ex ta**

#### TECHNICAL CLASSIFICATION

DESIGN SPECIFICATION	BS 6121:Part 1:1989
ENCLOSURE PROTECTION	IK10 to IEC 62262 (20 joules) Brass and Stainless Steel only
INGRESS PROTECTION RATING**	IP66
AVAILABLE MATERIALS	Brass (standard), Electroless Nickel Plated Brass, Aluminium, Stainless Steel

\*\* When CMP installation accessories are used. Refer to [www.cmp-products.com](http://www.cmp-products.com) for further information.



#### GLOBAL PRODUCT CERTIFICATION

ATEX CERTIFICATE	CML18ATEX1329U	IECEx CERTIFICATE	IECEx CML 18.0186U
UKEX CERTIFICATE	CML 21UKEX1242U	CODE OF PROTECTION	Ex db IIC Gb, Ex eb IIC Gb, Ex ta IIC Da, Ex eb I Mb*, Ex eb I Mb*
CODE OF PROTECTION	⊕ II 2G 1D, Ex db IIC Gb, Ex eb IIC Gb, Ex ta IIC Da, ⊕ I M2, Ex db I Mb*, Ex eb I Mb*	COMPLIANCE STANDARDS	IEC 60079-0,1,7,31
COMPLIANCE STANDARDS	EN 60079-0,1,7,31	COMPLIANCE STANDARDS	IEC 60079-0,1,7,31
cCSAus CERTIFICATE	1055233	CODE OF PROTECTION	Class I, Div 1 and 2, Groups A,B,C,D; IP66, 67, 68, Enclosure type 4X: Class 1, Zone 1, AEx de II; Ex de II
CODE OF PROTECTION	Class I, Div 1 and 2, Groups A,B,C,D; IP66, 67, 68, Enclosure type 4X: Class 1, Zone 1, AEx de II; Ex de II	COMPLIANCE STANDARDS	CSA C22.2 No. 30.94; CAN/CSA 60079-0,1,7; CAN/CSA E61241-1-1; UL 50, 1203; UL 60079-0,1,7
COMPLIANCE STANDARDS	CSA C22.2 No. 30.94; CAN/CSA 60079-0,1,7; CAN/CSA E61241-1-1; UL 50, 1203; UL 60079-0,1,7	EAC CERTIFICATE	EA3C RU C-GB, AĐ07.B.04602/22
EAC CERTIFICATE	EA3C RU C-GB, AĐ07.B.04602/22	RETIE APPROVAL	EL-CS-230200
CCC CERTIFICATE	2020322313003177	INMETRO APPROVAL	TÜV 12.1334U
MARINE APPROVALS	LRS: LR22320794TA DNV: TAE000000Y ABS: 22-2230864-PDA BV: 43180	CCOE / PESO (INDIA) CERTIFICATE	P548696, P533772
UKrSEPRO CERTIFICATE	CLQ 19.0370U	ECAS CERTIFICATE	24-03-106290/E24-03-110155/NB007
SANS	IA MS-XPL21804 21.0013U		

\*Aluminium alloys are not permitted in Group I mining applications.

Male-to-Male thread option available.

Available with an equipment interface o-ring seal. For such options please add the suffix letter "R" after the type number in the ordering reference above, e.g. 784RDM2M2.

If 2 separate enclosures are required to be connected together please contact CMP Products.

#### PRODUCT SELECTION TABLE

ORDERING REFERENCE (BRASS, METRIC)	METRIC			NPT				BORE DIAMETER 'C'	MAX PROTRUSION LENGTH 'D'	MAX OVERHANG LENGTH 'E'	ACROSS FLATS HEX 'G'	ACROSS CORNERS Ø 'G'
	MALE FORWARD THREAD SIZE 'A'	MINIMUM THREAD LENGTH 'E'	FEMALE REAR THREAD SIZE 'B'	ORDERING REFERENCE (BRASS, NPT)	MALE FORWARD NPT THREAD SIZE 'A'	MINIMUM NPT THREAD LENGTH 'E' (IN)	FEMALE REAR THREAD SIZE 'B'					
784DM2M2	M20 X 1.5	15.0	M20 X 1.5	784DT1T1	½"	0.79	½"	14.3	60.6	55.8	46.0	50.6
784DM3M3	M25 X 1.5	15.0	M25 X 1.5	784DT2T2	¾"	0.80	¾"	20.1	65.9	61.2	50.0	55.0
784DM4M4	M32 X 1.5	15.0	M32 X 1.5	784DT3T3	1"	0.98	1"	26.4	69.3	69.7	60.0	66.0
784DM5M5	M40 X 1.5	15.0	M40 X 1.5	784DT4T4	1¼"	1.01	1¼"	32.6	74.9	76.4	65.0	71.5
784DM6M6	M50 X 1.5	15.0	M50 X 1.5	784DT5T5	1½"	1.03	1½"	43.0	93.5	87.9	75.0	82.5
784DM7M7	M63 X 1.5	15.0	M63 X 1.5	784DT6T6	2"	1.06	2"	53.0	102.7	102.8	90.0	99.0

All dimensions shown are in millimetres unless otherwise stated

For material options please add the following suffix to the ordering reference; Brass (no suffix required), Nickel Plated Brass "5", 316 Grade Stainless Steel "4", Copper Free Aluminium "1"

Dimensions listed are for metric accessories only. Dimensions for alternative threads may vary.